

Texsteam Products

Series 2200 Chemical Injection Pumps

Product Features

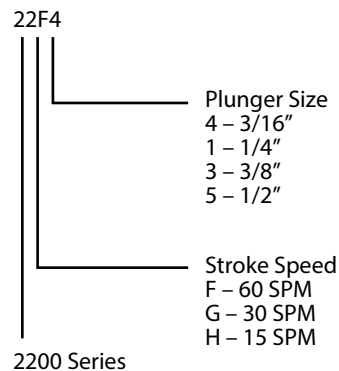
- Maximum discharge pressure of 1,000 psi (69 Bar).
- Maximum volume of 61 gallons per day (122 gallons per day for Duplex model).
- Duplex version permits increased single chemical volume to different location, or different chemicals to be injected into either a common feed line or alternate locations.
- Stroke adjustment feature allows for precise low-volume injection rates, and can be adjusted while the pump is in operation.
- 1/4 Horsepower motors are available in single phase or three phase voltages, with totally enclosed, non-ventilated (TENV) or explosion-proof enclosures.
- The geared motor and gear reducer assembly is available in 15, 30, or 60 strokes per minute (SPM) versions to accommodate multiple chemical injection demands.
- Motors are NRTL third-party certified by CSA/UL for use in hazardous locations.
- Standard fluid ends are 316 grade stainless steel.
- Four standard plunger sizes are available: 3/16", 1/4", 3/8", and 1/2".
- Modular body design allows for easily interchangeable fluid ends.
- Standard oil-less design requires less lubrication and decreased maintenance demands.

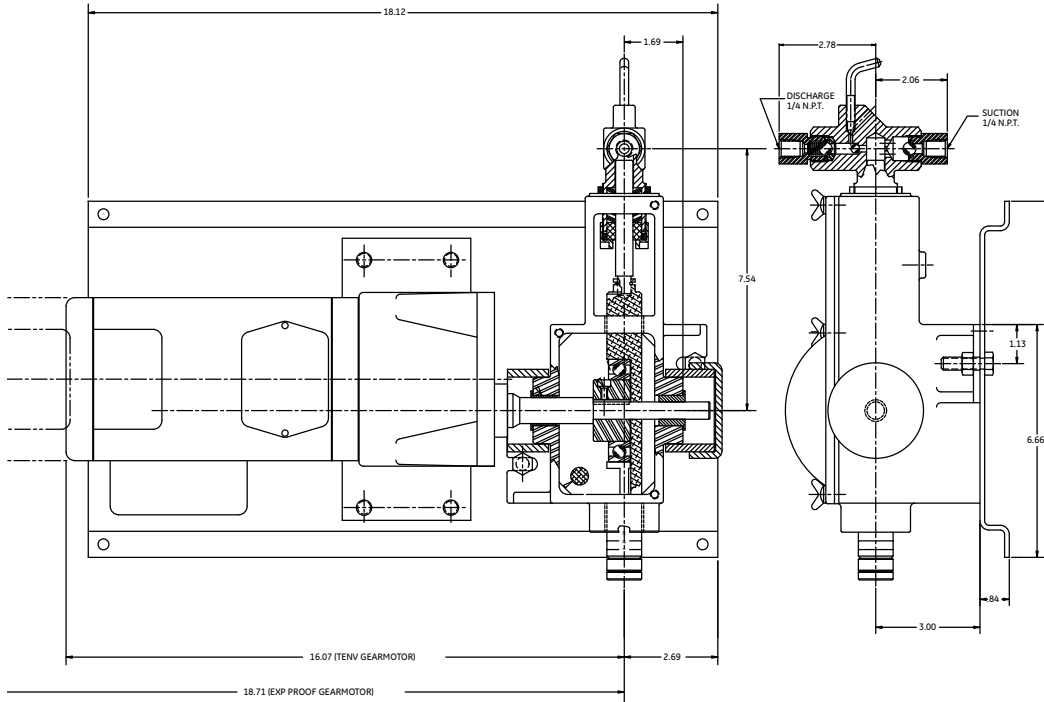
Options

- Wide selection of packing and o-ring materials to address varied chemical compatibility and application demands.
- Ceramic plungers are available to accommodate a variety of chemical compounds.
- Ductile iron head assemblies.

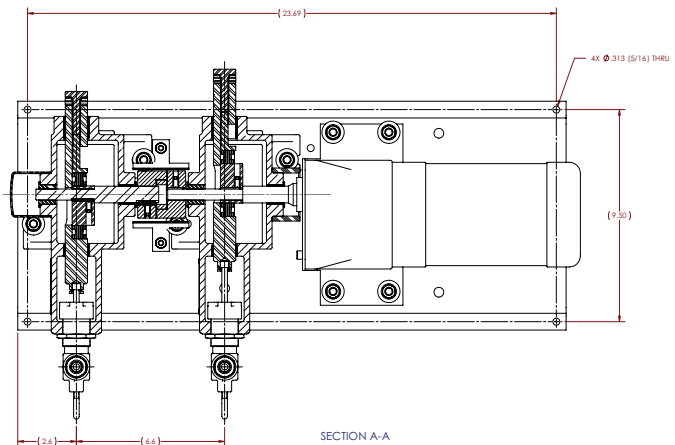


Model Designation

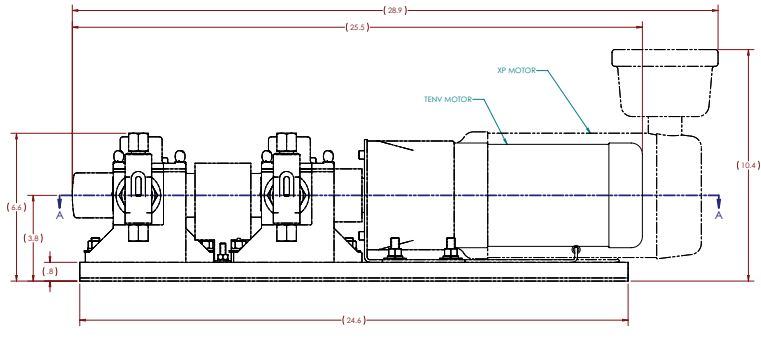
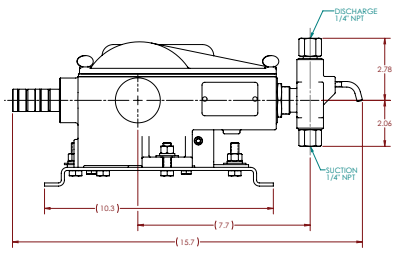




Series 2200 with 1/4 HP Motor			
Model Number	Plunger Size	SPM*	Maximum GPD @ 1000 PSI
2204	3/16"	15	2.19
		30	4.38
		60	8.76
2201	1/4"	15	3.84
		30	7.68
		60	15.36
2203	3/8"	15	8.64
		30	17.28
		60	34.56
2205	1/2"	15	15.36
		30	30.72
		60	61.44



* Strokes per minute.



Industrial Products Group
Texsteam Pumps
 16240 Port Northwest Drive
 Houston, TX 77041
 T: 832-590-2306
 Toll Free: 1-800-945-9898
 F: 713-849-2879



www.dresserngs.com

The Dresser Logo and all Trademarks containing the term "Dresser" are the property of Dresser, LLC, a subsidiary of Baker Hughes, a GE Company.

Texsteam 2200 Series Fact Sheet NGS.IPG.0006